



X4Pro

High Performance Industrial Vision Code

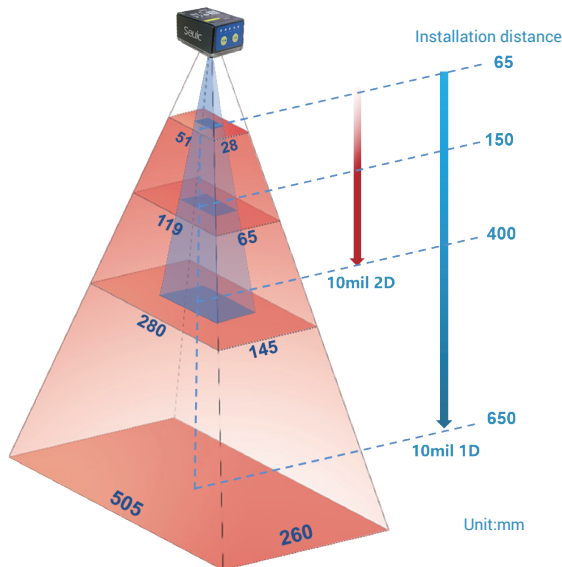
X4Pro is a high-performance industrial barcode reader designed for dynamic collection of barcodes in medium and high-speed assembly lines based on visual recognition technology.

It is equipped with a 2-megapixel image sensor, an automatic zoom lens and a new multi-core processor, with powerful performance and compact structure. It provides effective assistance for enterprises to improve data collection efficiency.



■ Greater DOF

Support focus adjustment within the range of 65mm-650mm; support automatic and manual Adjust the focus manually.

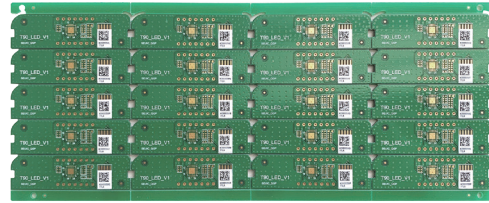


■ Greater FOV

Recognizing typical barcodes has a wider camera field of view and camera distance.

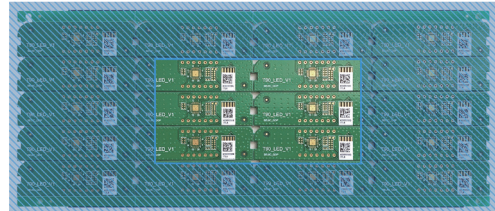
X4Pro

Large field of view, long-distance field of view is about 3 times that of traditional equipment



Traditional equipment

small field of view, close range



■ higher performance

Qualcomm 4-core multi-threaded decoding, supports 2.5m/s high-speed decoding, and is specially designed for dynamic code reading on the pipeline.

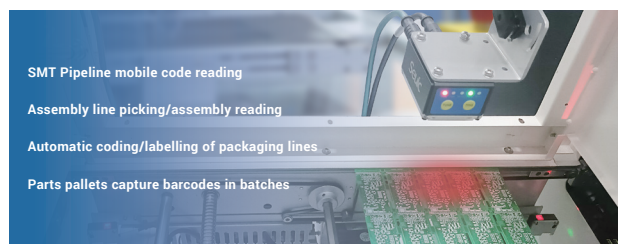
■ higher precision

The smallest 2mil laser-engraved QR code can be read.

■ easier to debug

Seuic Vision Setup Tool can realize automatic adjustment of code reading configuration parameters, and supports automatic learning of barcodes in offline state.

■ Application Scenario



- SMT Pipeline mobile code reading
- Assembly line picking/assembly reading
- Automatic coding/labelling of packaging lines
- Parts pallets capture barcodes in batches

Manufacturing



- Automatic labeling
- Package coding
- Cargo filling
- In-and-out sorting

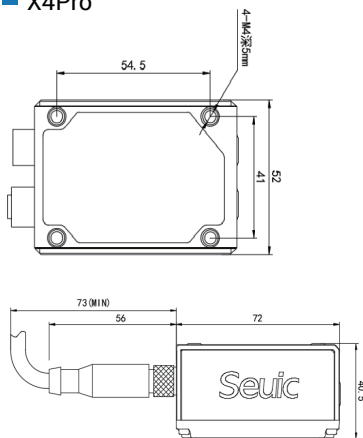
Item traceability

X4Pro specification

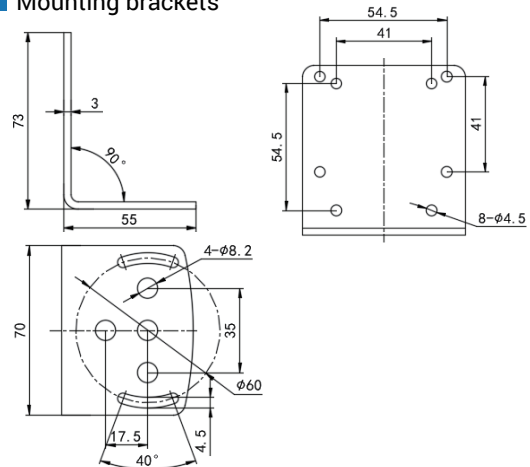
Image Sensor	CMOS sensor with global shutter:1920*1080
Lighting source	Red or white array high brightness LED + blue low angle light
sight	Laser dual point positioning sight Class II
frame rate	Up to 60 frames per second
focus adjustment	auto focus
Readable barcode type	1D: Code128、GS1 128、Code39、Code93、codabar、Interleaved 2 of 5、EAN/UPC 2D: QR、Micro QR、DataMatrix (ECC200)、PDF417、MicroPDF417
reading direction	Supports omnidirectional reading of barcodes in any orientation
Highest recognition accuracy	1D: 3.3mil 2D: 2.0mil
Reading distance	65mm to 1000mm adjustable
Field of view (at typical focal length)	65mm: 51mm*28mm 85mm: 71mm*39mm 150mm: 119mm*65mm 300mm: 223mm*122mm 650mm: 505mm*260mm
digital input	2 optically isolated non-polarity inputs
digital output	3 optocoupler outputs, programmable definition
Communication Interface	RS232、RS485、USB2.0、EtherNet
Communication Protocol	TCP/UDP、Modbus TCP、EtherNet/IP、Profinet
size	72mm x 52mm x 40.5mm
Weight	About 194.5g
Operating temperature	0°C to 50°C
storage temperature	-20°C to 70°C
Working humidity	5% to 95% RH non-condensing
degree of protection	IP65
Shell material	Aluminum-magnesium alloy
Power / Power Consumption	10~30V DC; 0.2 ~ 0.7A
electrostatic discharge	±15kV air discharge ±8kV direct discharge

installation size

■ X4Pro



■ Mounting brackets



Official Website:
www.seuic.us
en.seuic.com



Service Mail:
inquiry@seuic.us
marketing@seuic.com

